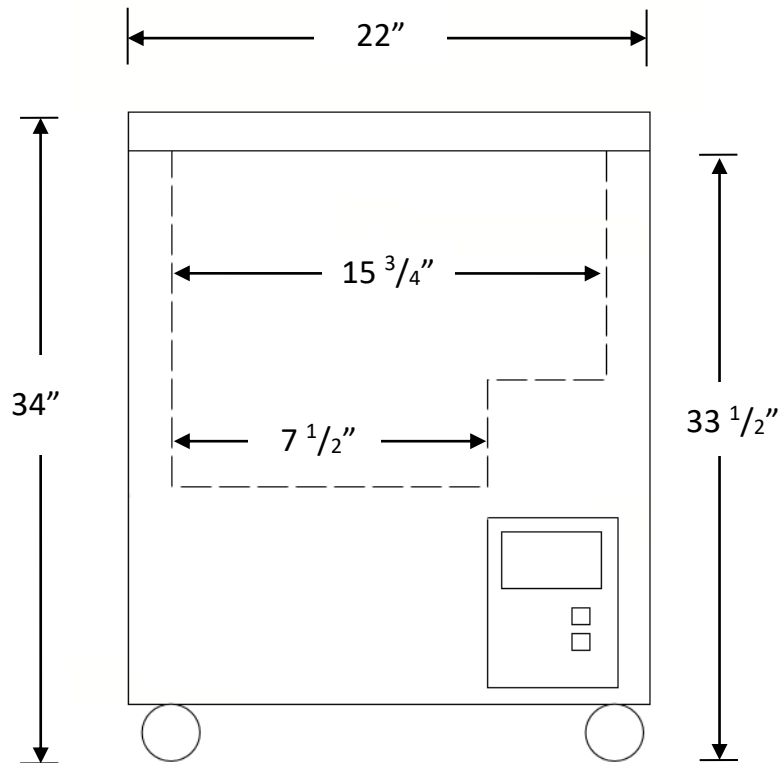


Chest Freezer Side View

FREEZER SPECIFICATIONS		
CAPACITY	3.5 CUBIC FEET	
STYLE	CHEST	
NET WEIGHT	85 LBS.	
SHIPPING WEIGHT	130 LBS.	
INTERIOR DIMENSIONS		
INTERIOR WIDTH	15.75"	40.0 CM
INTERIOR DEPTH	17.00"	43.2 CM
INTERIOR HEIGHT	25.87"	65.7 CM
EXTERIOR DIMENSIONS		
EXTERIOR WIDTH	22.00"	55.9 CM
EXTERIOR DEPTH	23.50"	59.7 CM
EXTERIOR HEIGHT	34.00"	86.4 CM
EXTERIOR CRATED DIMENSIONS		
CRATED WIDTH	30.00"	76.2 CM
CRATED DEPTH	25.00"	63.5 CM
CRATED HEIGHT	46.00"	116.8 CM



Chest Freezer Front View