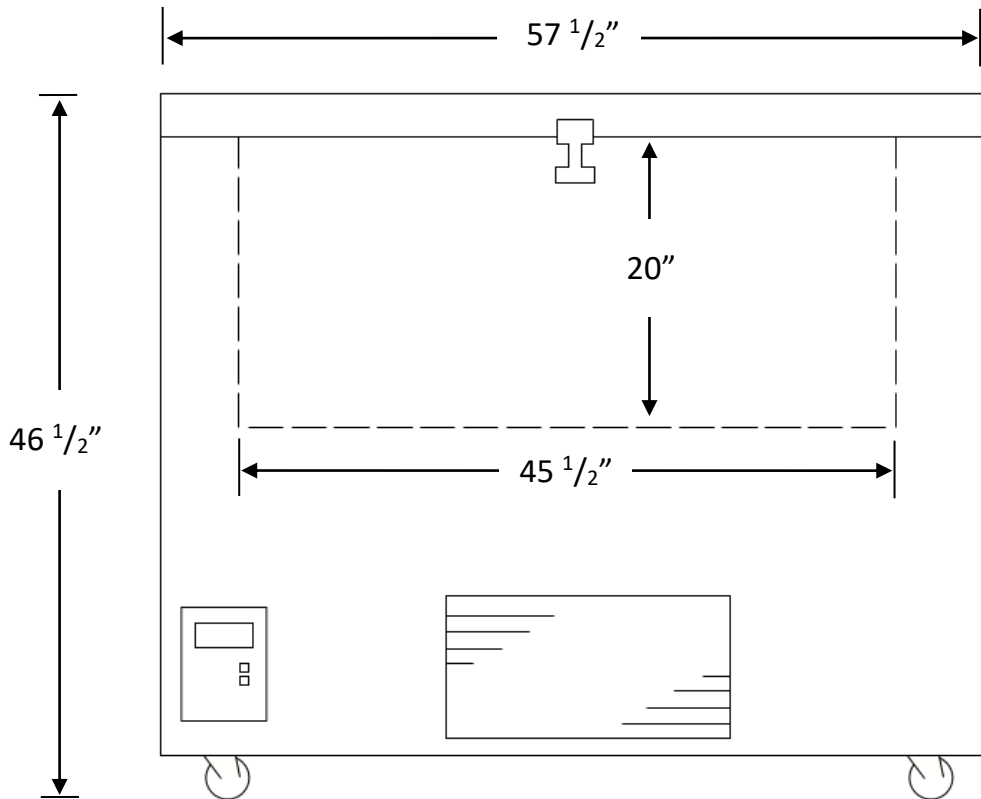


Chest Freezer Side View

FREEZER SPECIFICATIONS		
CAPACITY	9 CUBIC FEET	
STYLE	CHEST	
NET WEIGHT	600 LBS.	
SHIPPING WEIGHT	675 LBS.	
INTERIOR DIMENSIONS		
INTERIOR WIDTH	45.5"	(115.5 cm)
INTERIOR DEPTH	16.0"	(40.6 cm)
INTERIOR HEIGHT	20.0"	(50.8 cm)
EXTERIOR DIMENSIONS		
EXTERIOR WIDTH	57.5"	(146.0 cm)
EXTERIOR DEPTH	29.0"	(73.6 cm)
EXTERIOR HEIGHT	46.5"	(116.8 cm)
EXTERIOR CRATED DIMENSIONS		
CRATED WIDTH	64.0"	(162.5 cm)
CRATED DEPTH	41.0"	(104.1 cm)
CRATED HEIGHT	57.0"	(144.8 cm)



Chest Freezer Front View