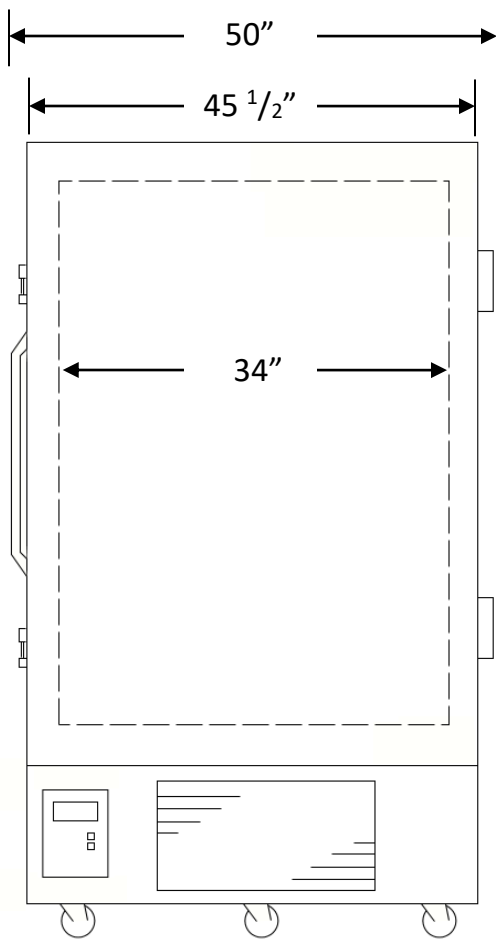
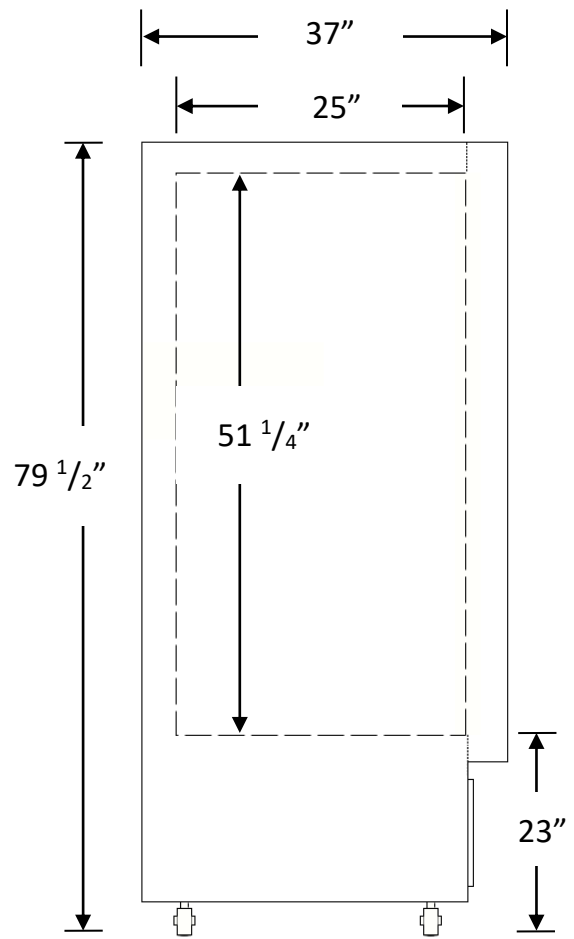


Upright Freezer Top View

FREEZER SPECIFICATIONS		
CAPACITY	25 CUBIC FEET	
STYLE	UPRIGHT	
NET WEIGHT	950 LBS.	
SHIPPING WEIGHT	1125 LBS.	
INTERIOR DIMENSIONS		
INTERIOR WIDTH	34.0"	(86.4 cm)
INTERIOR DEPTH	25.0"	(63.5 cm)
INTERIOR HEIGHT	51.25"	(130 cm)
EXTERIOR DIMENSIONS		
EXTERIOR WIDTH	50.0"	(127 cm)
EXTERIOR DEPTH	37.0"	(93.9 cm)
EXTERIOR HEIGHT	79.5"	(201.9 cm)
EXTERIOR CRATED DIMENSIONS		
CRATED WIDTH	53.0"	(134 cm)
CRATED DEPTH	43.0"	(109 cm)
CRATED HEIGHT	86.0"	(218 cm)



Upright Freezer Front View



Upright Freezer Side View