

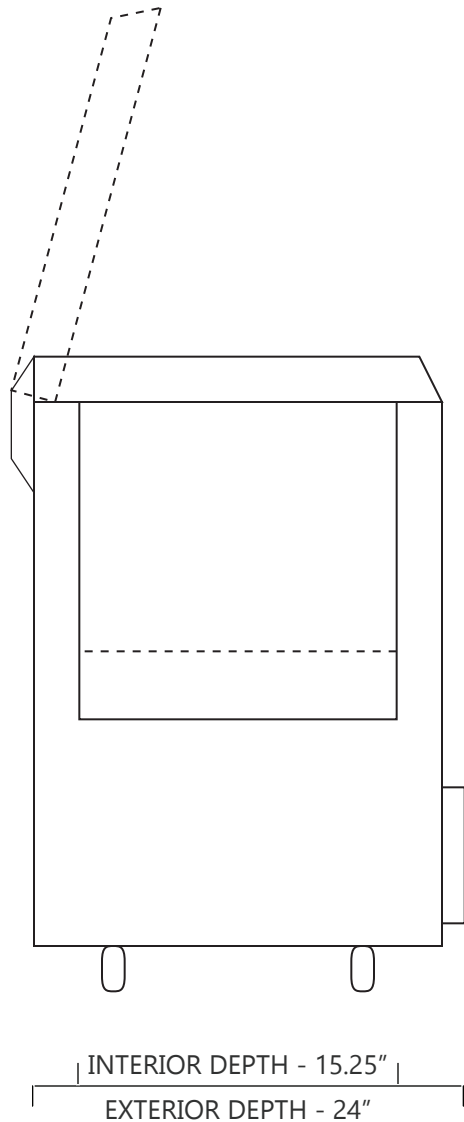
# MODEL CH25-5

## 5 CUBIC FOOT LABORATORY CHEST FREEZER

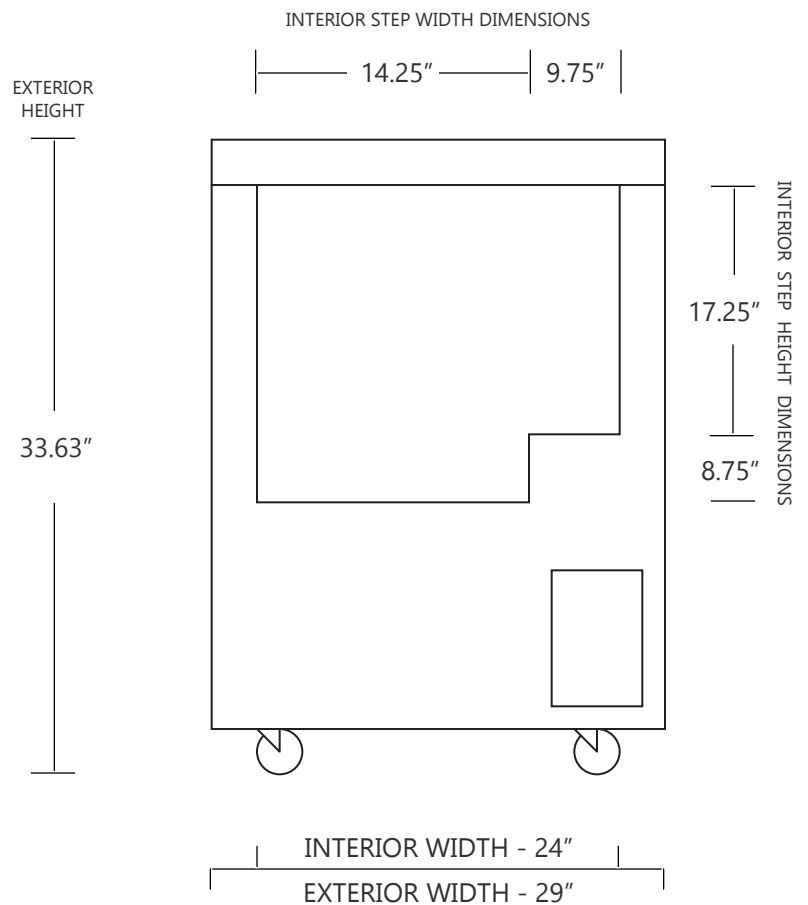
	WIDTH	DEPTH	HEIGHT	WIDTH	DEPTH	HEIGHT
INTERIOR DIMENSIONS	24 IN	15.25 IN	26 IN	60 CM	38 CM	66 CM
EXTERIOR DIMENSIONS	29 IN	24 IN	33.63 IN	73 CM	61 CM	85 CM
CRATED DIMENSIONS	32 IN	32 IN	46 IN	81 CM	81 CM	116 CM

NOTE THAT THE FREEZER LID CAN OPEN UP TO APPROXIMATELY 75° FROM HORIZONTAL POSITION

### SIDE VIEW



### FRONT VIEW



**SO-LOW**

[WWW.SO-LOW.COM](http://WWW.SO-LOW.COM)



**NET WEIGHT : 135 LBS.**  
**SHIPPING WEIGHT: 150 LBS.**

#### SHIPPING OPTIONS

DOCK-TO-DOCK DELIVERY ( REQUIRES FORKLIFT OR PALLET JACK )  
DOCK-TO-DOCK DELIVERY WITH LIFTGATE ( ON PALLET )