

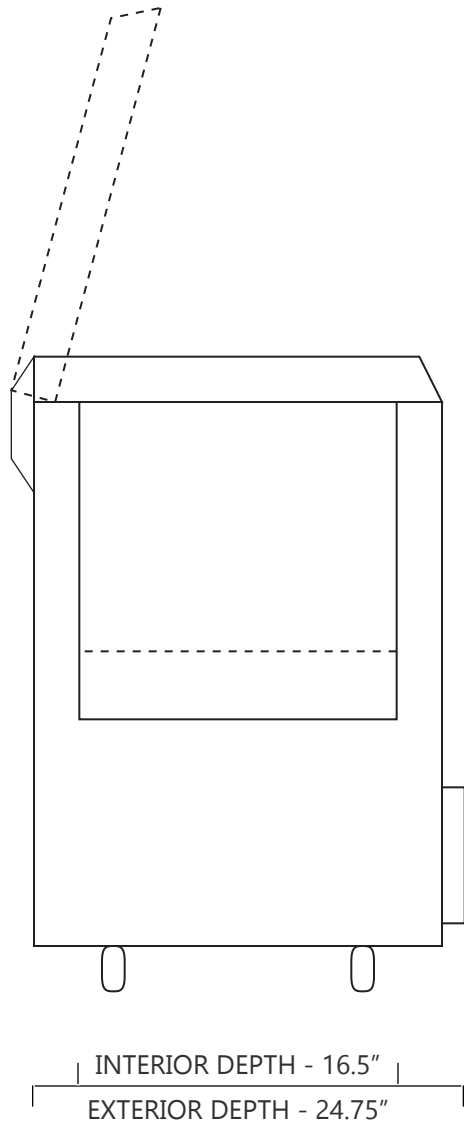
# MODEL CH25-9

## 9 CUBIC FOOT LABORATORY CHEST FREEZER

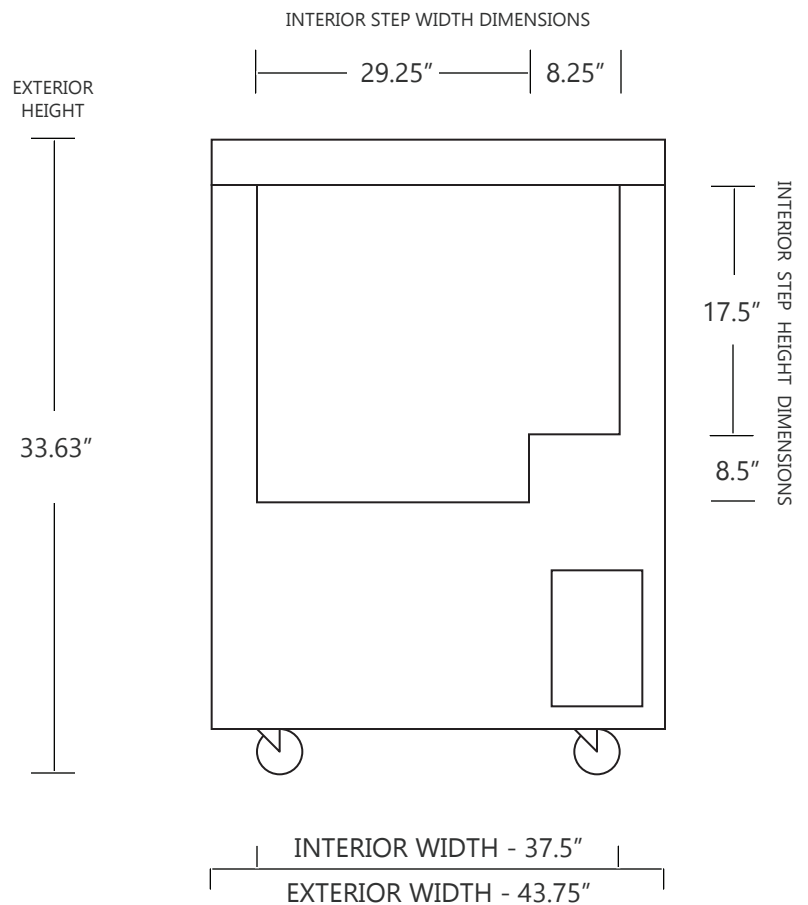
	WIDTH	DEPTH	HEIGHT	WIDTH	DEPTH	HEIGHT
INTERIOR DIMENSIONS	37.5 IN	16.5 IN	17.5 IN	95 CM	41 CM	44 CM
EXTERIOR DIMENSIONS	43.75 IN	24.75 IN	34.88 IN	111 CM	62 CM	88 CM
CRATED DIMENSIONS	46 IN	41 IN	55 IN	116 CM	104 CM	139 CM

NOTE THAT THE FREEZER LID CAN OPEN UP TO APPROXIMATELY 75° FROM HORIZONTAL POSITION

### SIDE VIEW



### FRONT VIEW



# SO-LOW

WWW.SO-LOW.COM



NET WEIGHT : 275 LBS.  
SHIPPING WEIGHT: 325 LBS.

### SHIPPING OPTIONS

DOCK-TO-DOCK DELIVERY ( REQUIRES FORKLIFT OR PALLET JACK )  
DOCK-TO-DOCK DELIVERY WITH LIFTGATE ( ON PALLET )