

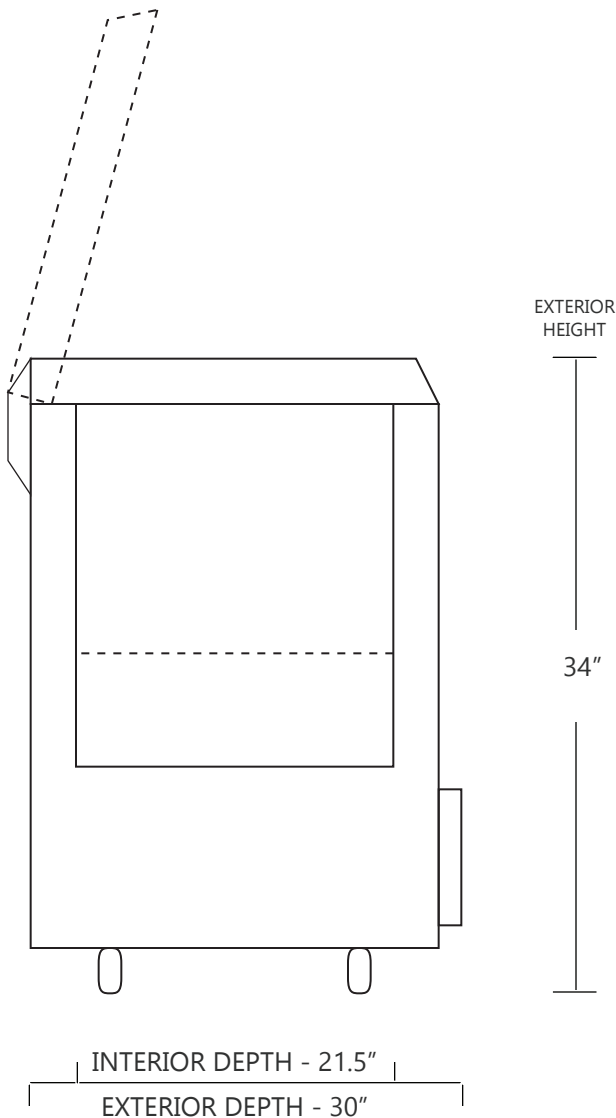
# MODEL CH40-20

## 20 CUBIC FOOT LABORATORY CHEST FREEZER

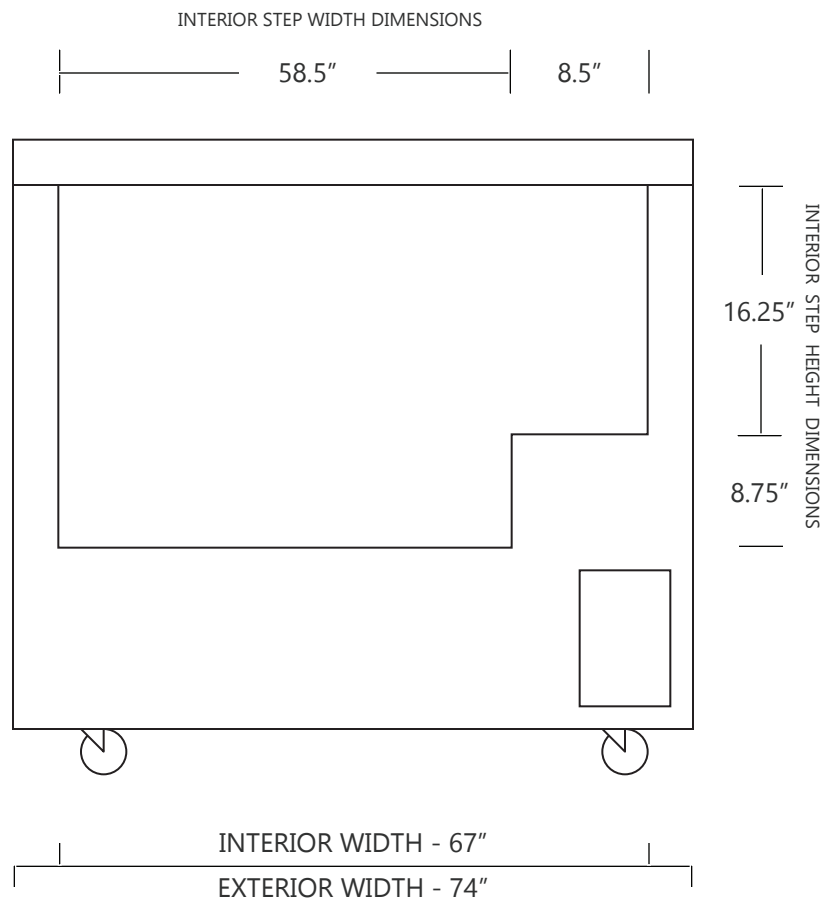
	WIDTH	DEPTH	HEIGHT	WIDTH	DEPTH	HEIGHT
INTERIOR DIMENSIONS	67 IN	21.5 IN	25 IN	170 CM	54 CM	63 CM
EXTERIOR DIMENSIONS	74 IN	30 IN	34 IN	188 CM	76 CM	86 CM
CRATED DIMENSIONS	86 IN	43 IN	56 IN	218 CM	109 CM	142 CM

NOTE THAT THE FREEZER LID CAN OPEN UP TO APPROXIMATELY 75° FROM HORIZONTAL POSITION

### SIDE VIEW



### FRONT VIEW



# SO-LOW

WWW.SO-LOW.COM



NET WEIGHT : 300 LBS.  
SHIPPING WEIGHT: 350 LBS.

### SHIPPING OPTIONS

DOCK-TO-DOCK DELIVERY ( REQUIRES FORKLIFT OR PALLET JACK )  
DOCK-TO-DOCK DELIVERY WITH LIFTGATE ( ON PALLET )