

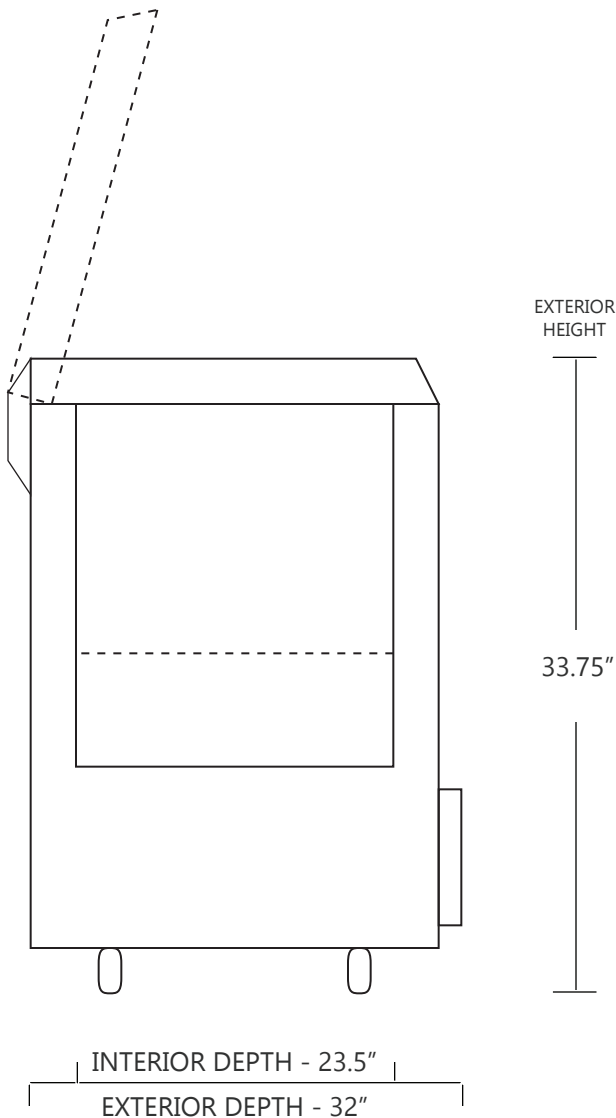
MODEL CH40-25

25 CUBIC FOOT LABORATORY CHEST FREEZER

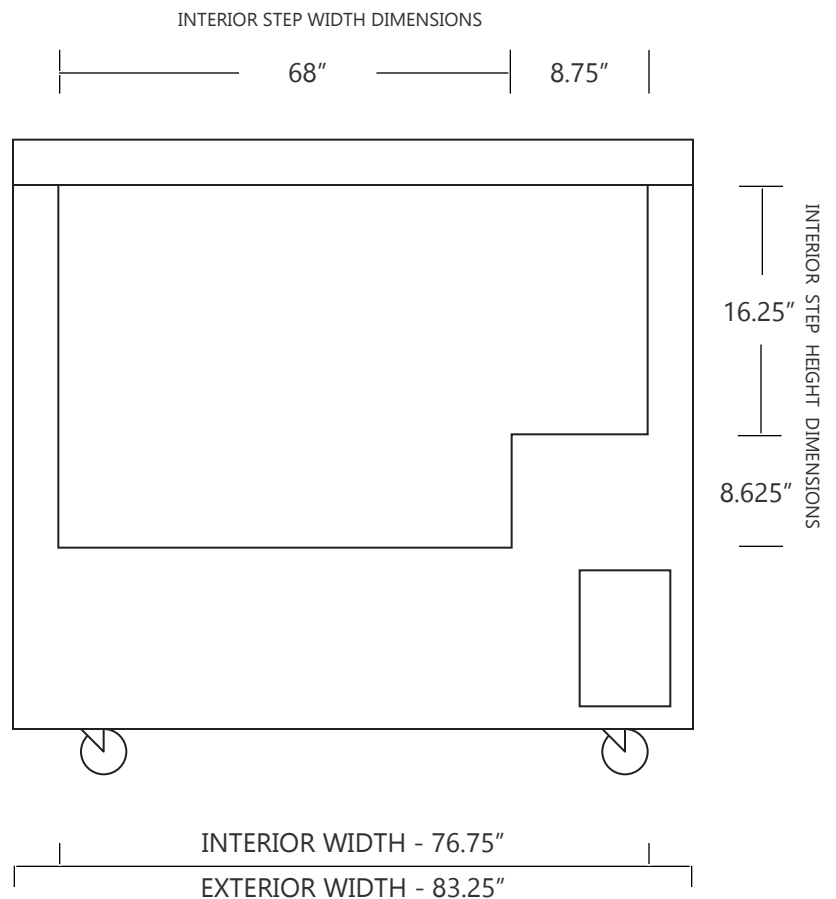
| | WIDTH | DEPTH | HEIGHT | WIDTH | DEPTH | HEIGHT |
|---------------------|----------|---------|----------|--------|--------|--------|
| INTERIOR DIMENSIONS | 79.75 IN | 23.5 IN | 24.88 IN | 194 CM | 59 CM | 63 CM |
| EXTERIOR DIMENSIONS | 83.25 IN | 32 IN | 33.75 IN | 211 CM | 81 CM | 85 CM |
| CRATED DIMENSIONS | 101 IN | 43 IN | 53 IN | 256 CM | 109 CM | 134 CM |

NOTE THAT THE FREEZER LID CAN OPEN UP TO APPROXIMATELY 75° FROM HORIZONTAL POSITION

SIDE VIEW



FRONT VIEW



SO-LOW

WWW.SO-LOW.COM



NET WEIGHT : 375 LBS.
SHIPPING WEIGHT: 425 LBS.

SHIPPING OPTIONS

DOCK-TO-DOCK DELIVERY (REQUIRES FORKLIFT OR PALLET JACK)