

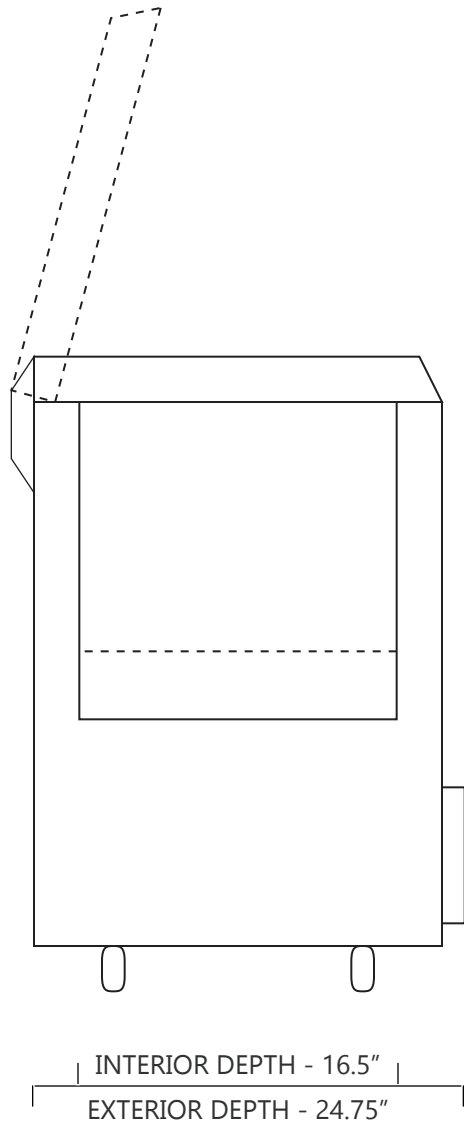
# MODEL CH40-9

## 9 CUBIC FOOT LABORATORY CHEST FREEZER

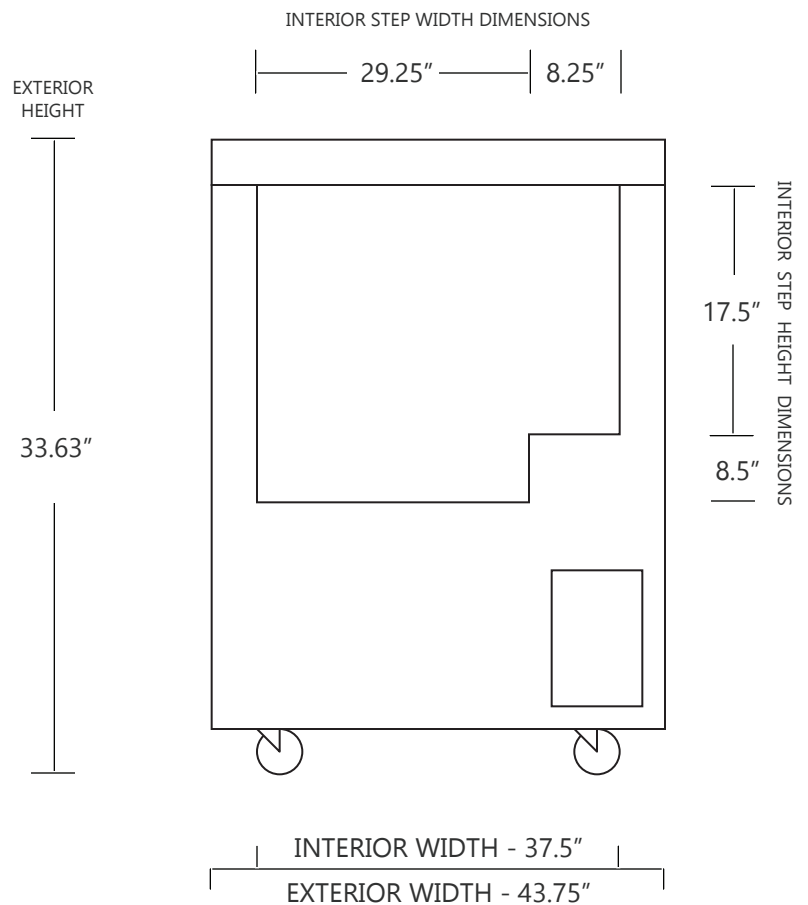
|                     | WIDTH    | DEPTH    | HEIGHT   | WIDTH  | DEPTH  | HEIGHT |
|---------------------|----------|----------|----------|--------|--------|--------|
| INTERIOR DIMENSIONS | 37.5 IN  | 16.5 IN  | 17.5 IN  | 95 CM  | 41 CM  | 44 CM  |
| EXTERIOR DIMENSIONS | 43.75 IN | 24.75 IN | 34.88 IN | 111 CM | 62 CM  | 88 CM  |
| CRATED DIMENSIONS   | 46 IN    | 41 IN    | 55 IN    | 116 CM | 104 CM | 139 CM |

NOTE THAT THE FREEZER LID CAN OPEN UP TO APPROXIMATELY 75° FROM HORIZONTAL POSITION

### SIDE VIEW



### FRONT VIEW



# SO-LOW

WWW.SO-LOW.COM



NET WEIGHT : 275 LBS.  
SHIPPING WEIGHT: 325 LBS.

### SHIPPING OPTIONS

DOCK-TO-DOCK DELIVERY ( REQUIRES FORKLIFT OR PALLET JACK )  
DOCK-TO-DOCK DELIVERY WITH LIFTGATE ( ON PALLET )