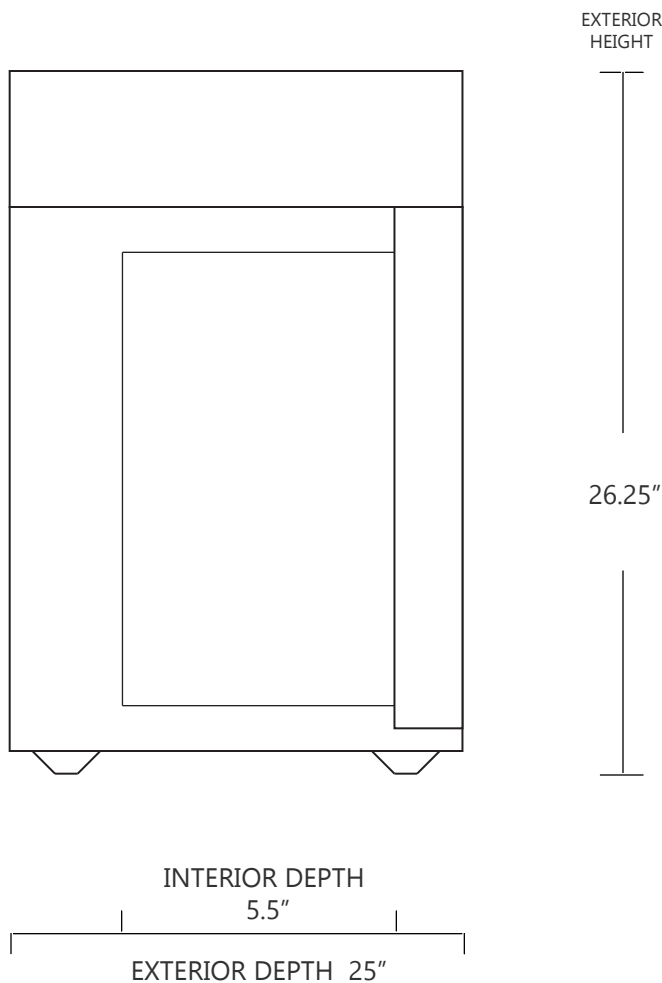


# MODEL MV85-1

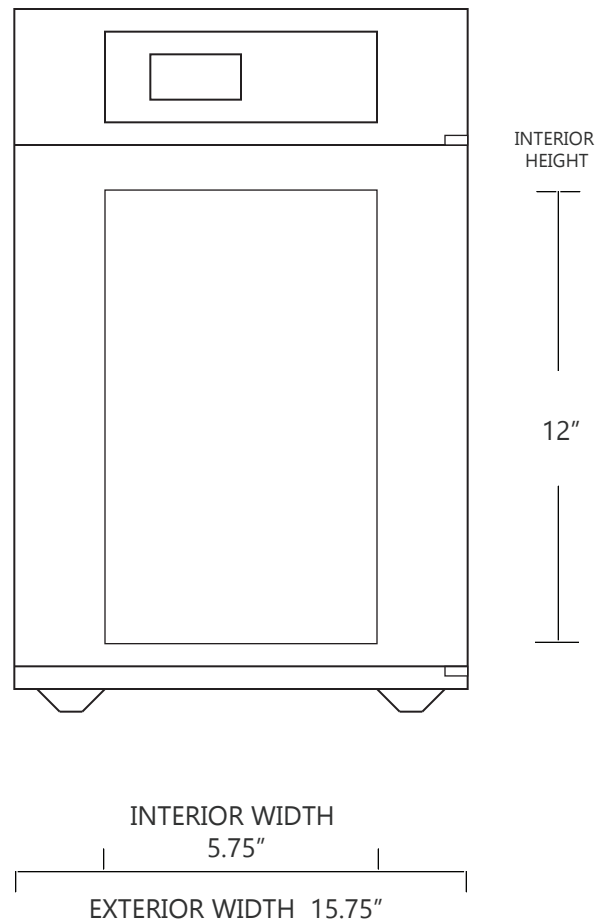
0.25 CUBIC FOOT UNDERCOUNTER ULTRA-LOW FREEZER

	WIDTH	DEPTH	HEIGHT	WIDTH	DEPTH	HEIGHT
INTERIOR DIMENSIONS	5.75 IN	5.5 IN	12 IN	15 CM	14 CM	31 CM
EXTERIOR DIMENSIONS	15.75 IN	25 IN	26.25 IN	40 CM	60 CM	66 CM
CRATED DIMENSIONS	31 IN	19 IN	35 IN	78 CM	48 CM	88 CM

**SIDE VIEW**



**FRONT VIEW**



**SO-LOW**

[WWW.SO-LOW.COM](http://WWW.SO-LOW.COM)



**NET WEIGHT : 95 LBS.**

**SHIPPING WEIGHT: 120 LBS.**

**SHIPPING OPTIONS**

DOCK-TO-DOCK DELIVERY ( REQUIRES FORKLIFT OR PALLET JACK )

DOCK-TO-DOCK DELIVERY WITH LIFTGATE ( REQUIRES FORKLIFT OR PALLET JACK )

INSIDE DELIVERY ( WHITE GLOVE DELIVERY )