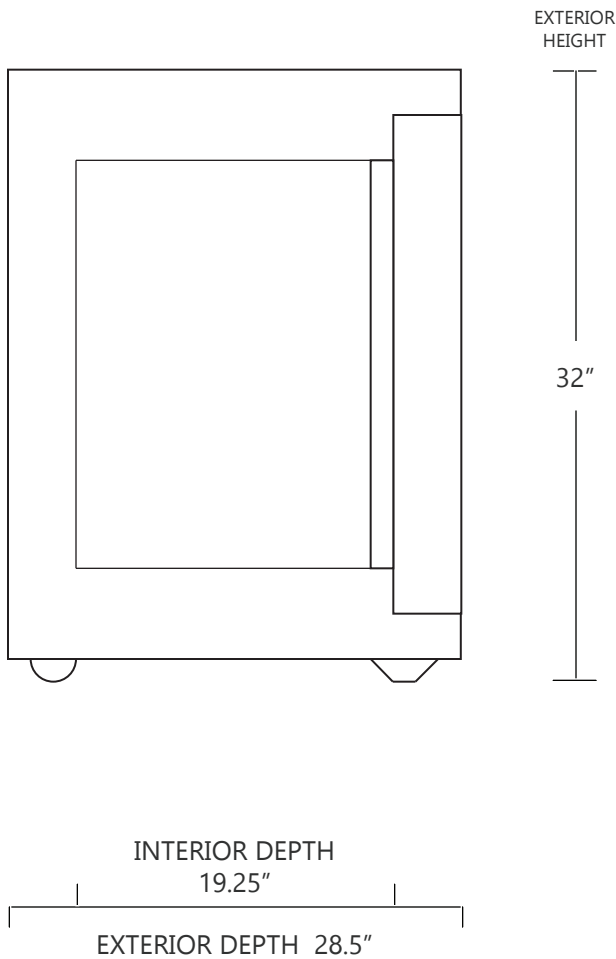


# MODEL MV85-3

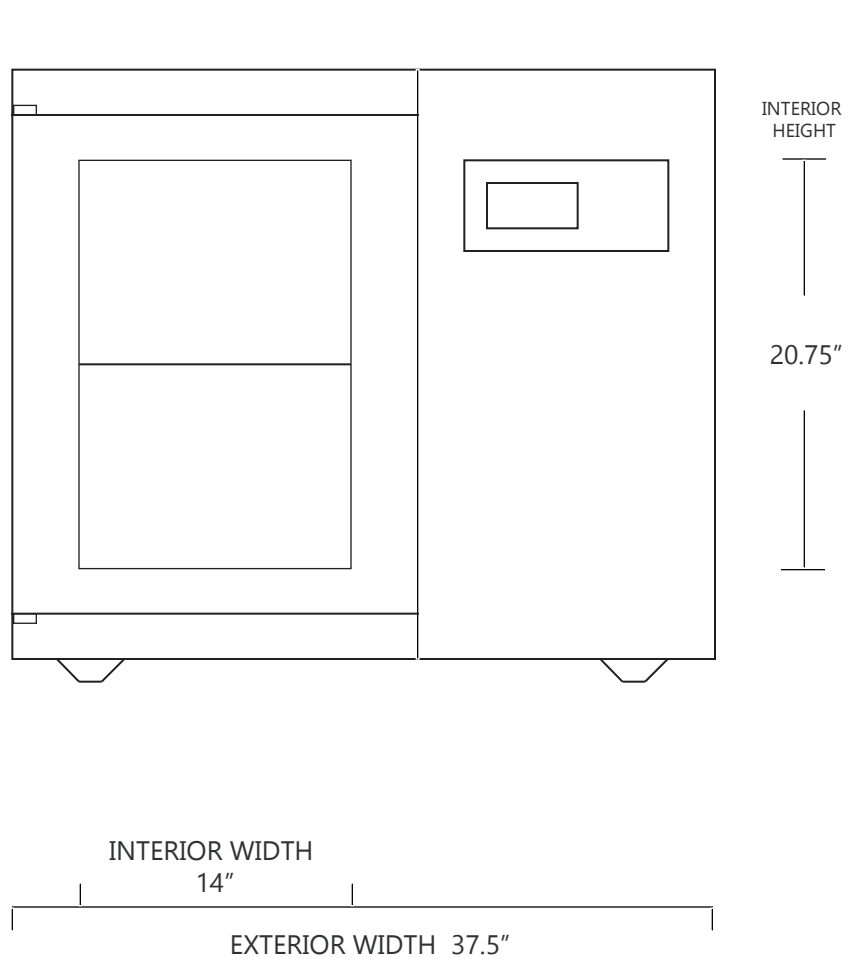
## 3 CUBIC FOOT UNDERCOUNTER ULTRA-LOW FREEZER

	WIDTH	DEPTH	HEIGHT	WIDTH	DEPTH	HEIGHT
INTERIOR DIMENSIONS	14 IN	19.25 IN	20.75 IN	36 CM	49 CM	53 CM
EXTERIOR DIMENSIONS	37.5 IN	28.5 IN	32 IN	95 CM	72 CM	81 CM
CRATED DIMENSIONS	41 IN	32 IN	41 IN	104 CM	81 CM	104 CM

### SIDE VIEW



### FRONT VIEW



**SO-LOW**

[WWW.SO-LOW.COM](http://WWW.SO-LOW.COM)



**NET WEIGHT : 250 LBS.**  
**SHIPPING WEIGHT: 285 LBS.**

#### SHIPPING OPTIONS

DOCK-TO-DOCK DELIVERY ( REQUIRES FORKLIFT OR PALLET JACK )  
DOCK-TO-DOCK DELIVERY WITH LIFTGATE ( REQUIRES FORKLIFT OR PALLET JACK )  
INSIDE DELIVERY ( WHITE GLOVE DELIVERY )